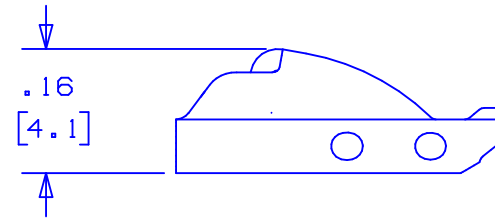
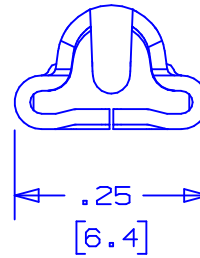
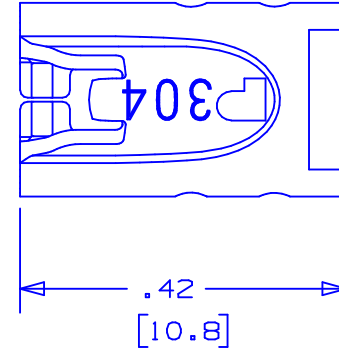


NOTES:

1. TO BE USED WITH PANDUIT STAINLESS STEEL BANDING MBS-MR & MBS-TLR. (A)
2. APPLICATION TOOL: GS4MT, PPTMT, ST2MT, ST3MT AND HTMT.
3. TOOL TENSION SETTING: 1 TO 4 (GS4MT & PPTMT TOOLS ONLY).
4. DIMENSIONS IN [] ARE MILLIMETERS.
5. MINIMUM LOOP TENSILE STRENGTH: 100 lbs. [445 N].
6. TOLERANCES: .XXX = ±.010 [.254]
 .XX = ±.02 [.508]
 .X = ±.03 [.762]
 ANGLES = ±2°



CAD FILENAME/LAYERS S41145_01

PANDUIT CORP. TINLEY PARK, ILLINOIS

METAL LOCKING TIE HEAD
STANDARD PART# MTHS-C

UNLESS OTHERWISE SPECIFIED,
DIMENSIONAL TOLERANCES ARE:
(.X) ± x (.XXX) ± x
(.XX) ± x ANGLES ± x

UNLESS OTHERWISE SPECIFIED,
ALL DIMENSIONS ARE GIVEN
IN INCHES, THIRD ANGLE PROJECTION.

REV	DATE	BY	CHK	DESCRIPTION	ECN #	PM	CUST
01	10/03	BRH	DPN	(A) ADDED ST3MT TO APPLICATION TOOL NOTE	11162	CCH	JJB
00	8/03	JAMB	DPN	RELEASED	10938	CCH	JJB

DRAWN BY JAMB		MAT'L: 304 STAINLESS STEEL	SCALE 4x
DATE 8-13-03	DRAWING NO. S41145		DWG SIZE A
CHK'D DPN			